



USER'S MANUAL

8" COMPACT AMPLIFIED SUBWOOFER WITH PASSIVE RADIATORS

BA8



750 Watt
PEAK POWER

9" 150W

DIAPHRAGM

RMS



2X PASSIVE
RADIATORS



EASY

CONNECTION



BUILT-IN
CROSSOVER



LPF
CONTROL

CONTENT

Introduction	4
Precautions	5
Connection	7
Specifications	9

INTRODUCTION

Congratulations on your purchase of the FIVE Compact Active Subwoofer! This product has been designed and manufactured to enable you to enjoy quality sound for a long time. This product was designed to be installed in the luggage compartment of a vehicle. To install this product, we recommend contacting qualified car audio specialists. Please read the user manual carefully before installing and using the product for the first time. It is recommended that you keep this manual in a safe place for future reference.

PACKAGING CONTENT

User manual - 1 pc

Warranty card - 1 pc

Subwoofer FIVE BA8 - 1 pc

Remote control - 1pc

PRECAUTIONS



WARNING!

- **Do not operate any function that takes your attention away from safely driving your vehicle.**

Any function that requires your prolonged attention should only be performed after coming to a complete stop. Always stop the vehicle in a safe location before performing these functions. Failure to do so may result in an accident.

- **Keep the volume at a level where you can still hear outside noises while driving.**

Excessive volume levels that obscure sounds such as emergency vehicle sirens or road warning signals (train crossings, etc.) can be dangerous and may result in an accident. Listening at loud volume levels in a car may also cause hearing damage.

- **Do not disassemble or alter.**

Doing so may result in an accident, fire or electric shock.

- **Use this product for mobile 12V applications.**

Use for other than its designed application may result in fire, electric shock or other injury.

- **Use the correct ampere rating when replacing fuses.**

Failure to do so may result in fire or electric shock.

- **Do not block vents or radiator panels.**

Doing so may cause heat to build up inside and may result in fire.

- **Make the correct connections,**

Failure to make the proper connections may result in fire or product damage.

- **Use only in vehicles with a 12 volt negative ground.**

Failure to do so may result in fire, etc. (Check with your seller if you are not sure.)

- **Before wiring, disconnect the cable from the negative battery terminal.**

Failure to do so may result in electric shock or injury due to electrical shorts.

- **Do not allow cables to become entangled in surrounding objects.**

Arrange wiring and cables in compliance with the manual to prevent obstructions when driving. Cables or wiring that obstruct or hang up on places such as the steering wheel, gear lever, brake pedals, etc. can be extremely hazardous.

- **Do not splice into electrical cables.**

Never cut away cable insulation to supply power to other equipment. Doing so will exceed the current carrying capacity of the wire and result in fire or electric shock.

- **Do not damage pipe or wiring when drilling holes.**

When drilling holes in the chassis for installation, take precautions so as not to contact, damage or obstruct pipes, fuel lines, tanks or electrical wiring. Failure to take such precautions may result in fire.

- **Do not use bolts or nuts in the brake or steering systems to make ground connections.**

Bolts or nuts used for the brake or steering systems (or any other safety-related system), or tanks should NEVER

be used for installations or ground connections. Using such parts could disable control of the vehicle and cause fire etc.

- **Keep small objects such as bolts or screws out of the reach of children.**

Swallowing them may result in serious injury. If swallowed, consult a physician immediately.

- **Stop using immediately if a problem occurs.**

Failure to do so may result in personal injury or product damage. Return it to the dealer or the nearest service center for repair.

- **It is recommended that you seek assistance in installing and connecting the product to qualified car audio professionals.** The wiring and installation of this device requires special technical skills and experience. To ensure safety, it is recommended to contact professional car audio experts for installation and electrical work.

- **When wiring, do not allow it to be pinched or crushed by sharp metal edges.** Route cables and wiring away from moving parts (such as seat rails), sharp or pointed edges. This will prevent crimping and damage to the wiring. If the wire passes through a metal hole, use a rubber grommet to prevent the metal edge of the hole from damaging the wire insulation.

- **Do not install in places with high humidity or dust.**

Avoid installing the device in places with high humidity or dust. If moisture or dust gets inside the device, it may break.

- **Do not expose the subwoofer to direct moisture, as this may cause a short circuit or fire.**

- **When mounting the subwoofer, leave a small amount of free space on all sides.**

CONNECTION

Be sure to turn off the power of all audio components before connecting. Connect the red wire from the amplifier directly to the positive (+) post on the vehicle's battery. Do not connect this wire to the fuse box.



WARNING!

Caution

Caution on connection terminals/parts

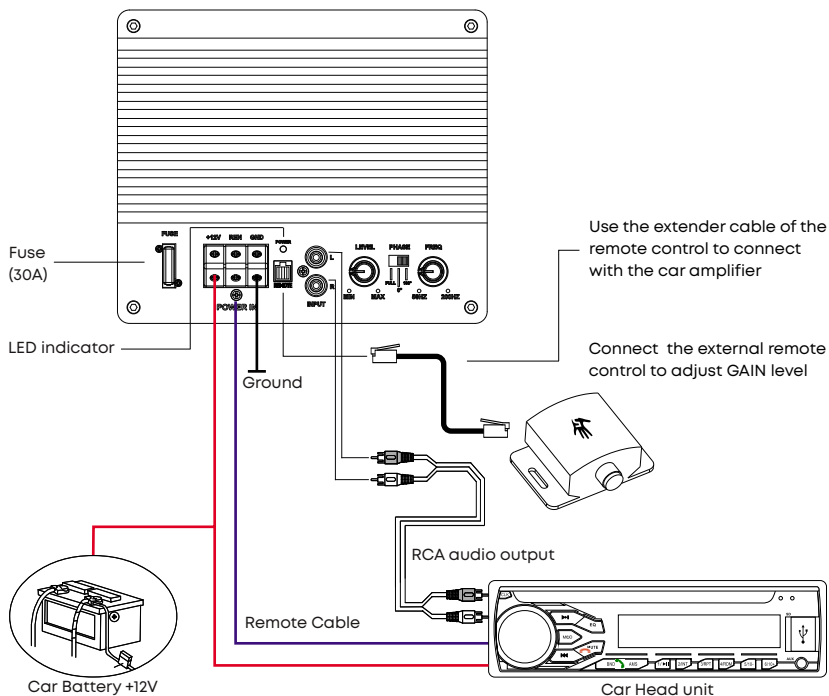
·Keep electrically conductive objects away from the unit's terminals/parts (power terminals, fuses, speaker input terminals, RCA connectors, etc.). Doing so prevents a possible short circuit and damage to the unit.

To prevent external noise from entering the audio system:

Route the wires from the device at least 10 cm (3-15 / 16 inches) away from the vehicle seat belt. Route power wires as far away from other wires as possible. Connect the ground wire securely to the metal hole (remove paint or grease if necessary) on the vehicle body.

Qualified car audio professionals know best about interference prevention measures, so please contact the experts for more information.

Fuse: When replacing a fuse, use only the fuse rating recommended by the manufacturer. Using a fuse with a higher or lower rating may result in damage to the device, fire, or electric shock.



1. Connecting power wires

Correctly select the gauge of the power wires (not included). Recommended power wire gauge are 8 AWG as this will affect the correct operation of the device. Connect positive wire to positive battery terminal. Connect the battery Fuse Holder 30A fuse closer to the battery (sold separately). Connect the negative cable to any part of the car chassis and secure with a screw. At the same time, check that your actions do not violate vehicle construction and components.

2. Connecting the control wire to turn on the amplifier

Control wire (not included) for turning on the subwoofer amplifier. Connect this terminal to the corresponding wire on the head unit. Another method is to connect the REMOTE wire to the car's ignition.

3. Interconnect cable connection (RCA, low level input)

Connect an RCA cable (not included) in the following sequence: WHITE - connect to the left channel, RED - connect to the right.

4. GAIN adjustment (LEVEL)

The GAIN (LEVEL) knob is used to control the sensitivity of the subwoofer amplifier according to the source (car head unit) output voltage. The sensitivity knob is related to volume control. Play audio content in CD quality on your car head unit and increase the volume up to 75% of the maximum possible. Set the GAIN control to minimum and slowly turn the GAIN knob clockwise until the first sound distortions appear. Then reduce the gain slightly by decreasing GAIN knob counterclockwise to get the most undistorted sound possible.

5. FREQ adjustment (LPF)

FREQ knob is used to cut high frequencies that the subwoofer cannot reproduce. Adjust the filter according to the frequency range of the subwoofer.

6. Phase switch 0° to 180°

The subwoofer output phase can be set to the standard subwoofer mode - phase 0° (button - Off) or the subwoofer out-of-phase mode -180° (button - On).

7. Remote Gain Adjustment

Remote Gain Adjustment Knob allows the user to adjust the overall bass level of the subwoofer. Turning the remote bass level knob towards (+) increases the overall subwoofer level, while turning the bass level knob towards (-) decreases the overall subwoofer level.

Note: BA8 can be used without connecting the remote bass level knob. However, overall subwoofer level cannot be adjusted from the listening position.

SPECIFICATIONS

Rated power (RMS): 150W

Peak power: 750W

Closed enclosure with built-in amplifier

Subwoofer: 8" (200mm)

Passive Radiators: 6"x2 (160mm*2)

Paper cone with rubber surround

Voice Coil: 1.2"(30.6mm)

Impedance: 4Ω (single coil)

Frequency response of amplifier: 40 Hz~3000 Hz

Low Pass filter: 50 Hz~200 Hz

Sensitivity: 88±2dB/1W at 1m

Passive radiators dimensions: 6,5" x 2

SPL: 108±2dB/150W at 1m

Magnet: 27 ounces

Dimensions, mm: 270*(280+225)*255 (Length*Width top+Width bottom)*Height)

Weight: 6.35 kg / 224 Oz

ADDITIONAL PARAMETERS

Speaker resonance frequency, Fs: 39.22 Hz

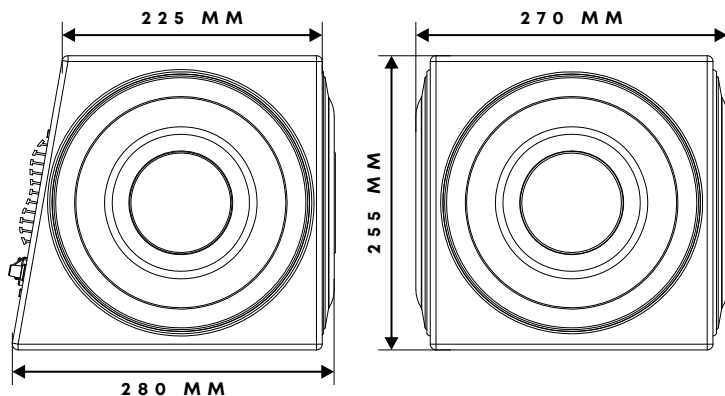
Force factor of the speaker, BL: 10.40 Tm

Mechanical moving mass, Md: 42 g

Mechanical Q factor, Qms: 2.97

DC resistance, Re: 4.0 Ohm

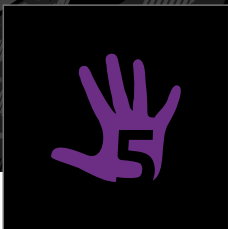
Effective radiation surface, Sd: 219.04 m²



Safe disposal

Your device is designed and made of high quality materials and components that can be recycled and reused. If the product has a crossed-out wheeled bin symbol, this means that the product complies with European Directive 2002/96 / EC. Check out the local separate collection system for electrical and electronic products. Observe local regulations. Dispose of old devices separately from household waste. Proper disposal of your product will help prevent potential negative consequences for the environment and human health.





“AUTOTEK INDUSTRIAL LIMITED”
1318-19,13/F, HOLLYWOOD PLAZA, 610 NATHAN ROAD, MONGKOK, KOWLOON,
HONG-KONG, CHINA

MADE IN P.R.C.